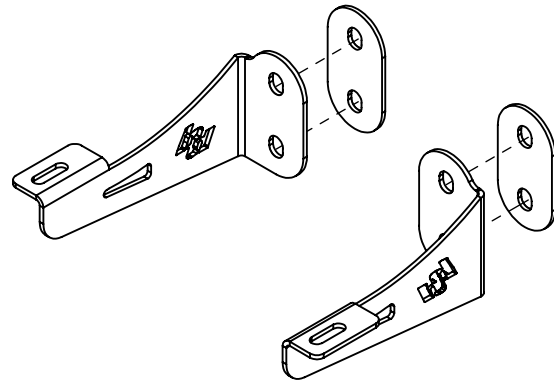


2017 Ford Super Duty 30" & 40" Arc Bar Kit

ITEM NO.	PART NUMBER	QTY.
1	63-0810 Ford Super Duty 30-40 Arc Bar Base Plate (17)	2
2	63-0811 Ford Super Duty 30-40in Arc Bar Driver Side Mount (17+)	1
3	63-0812 Ford Super Duty 30-40in Arc Bar Passenger Side Mount (17+)	1

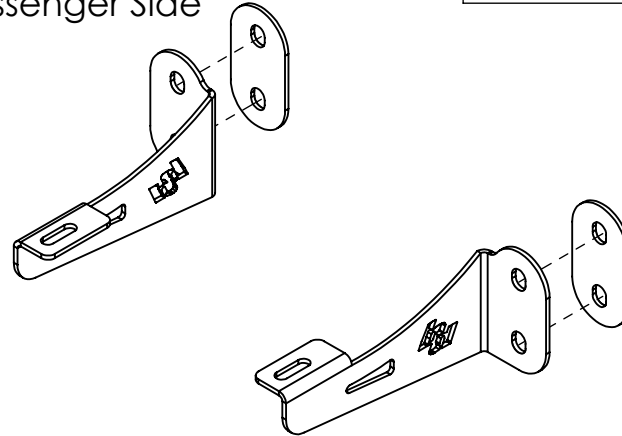
Passenger Side



Driver Side

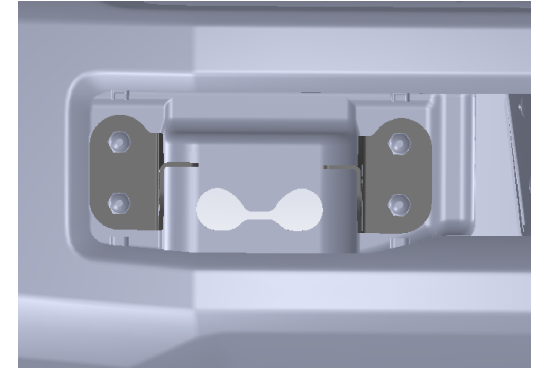
30" OnX6 Arc Orientation

Passenger Side



Driver Side

40" OnX6 Arc Orientation



Passenger side mounting orientation: Left bracket is mounted for 40" bar and the right bracket is mounted for 30" bar. Mirror this orientation on Driver side of the vehicle.

Instructions:

1. Remove the stock plastic guard around your tow hooks by the small clip on either side.
2. Next if you have a 30inch OnX6, remove the two nuts just to the inside of the tow hooks on each side. Save the stock nuts as they will need to be reinstalled.
3. If you have a 40 inch OnX6 remove the two nuts just to the outside of the tow hooks on each side. Save the stock nuts as they will need to be reinstalled.
4. Install the supplied base plate and then brackets onto the protruding studs and fasten with the stock hardware. See above picture for orientation of brackets depending on the length of the light bar.
5. Install your OnX6 Arc series bar with the stock hardware provided with the light and wire with your wiring harness.